

WEATHERPROOF HORN
LOUDSPEAKERS

▶ **APH30T/EN**
▶ **APH30T/ENC**

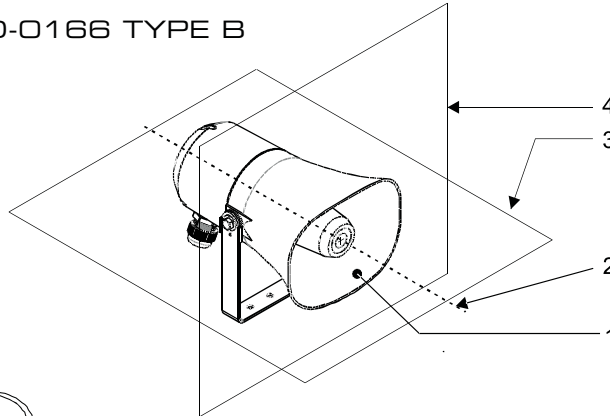
EN54-24

INSTALLATION INSTRUCTIONS

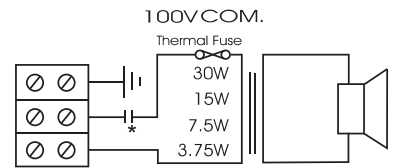
EN54-24:2008

Certificate No: 0359-CPD-0166 TYPE B

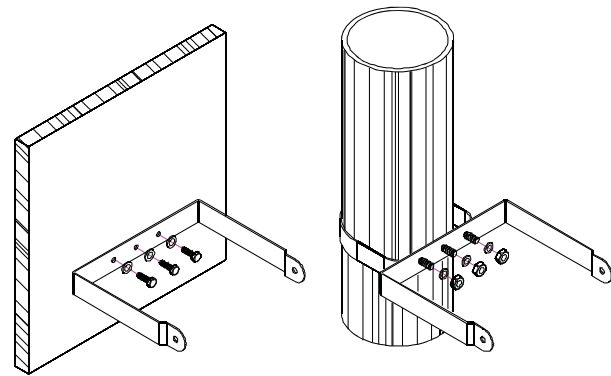
1. LOUDSPEAKER ENCLOSURE
2. REFERENCE AXIS
3. REFERENCE PLANE
4. HORIZONTAL PLANE



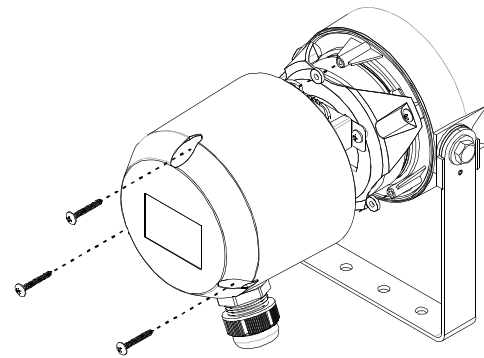
Circuit Diagram



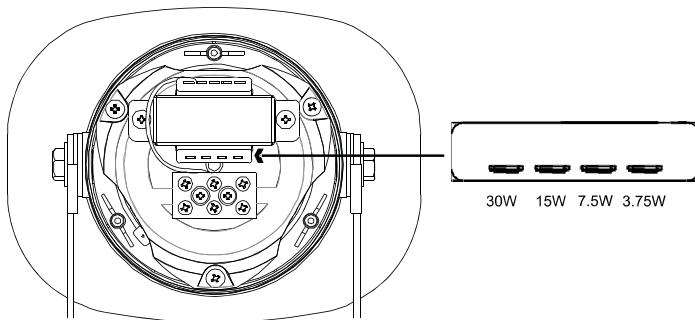
- ▶ **APH30T/EN**
- ▶ **APH30T/ENC**
- * with capacitor



1. Remove the "U" bracket from the speaker. Align the bracket and mark the fixing points. Fix the bracket using suitable fixings (Not supplied).

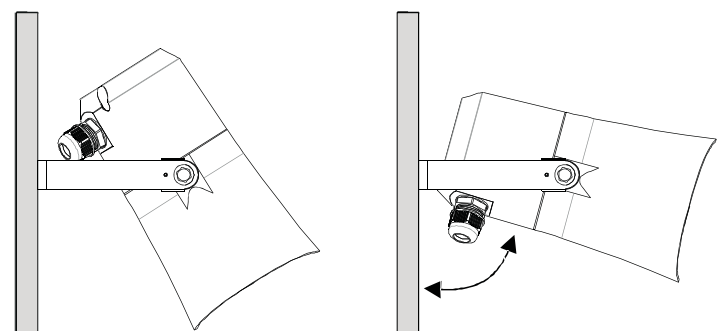


2. On removing the back lid of the horn you will observe a 3 way ceramic terminal block that is connected to the 100 volt line transformer. To select the required tapping look at the top of the transformer, you will find a selection of taps from 30 watts to 3.75 watts. To change the tapping move the female connector (white) located on the transformer to the appropriate male spade terminal. The white lead also contains a thermal fuse for circuit protection in the event of a fire.



3. On selecting the required tapping the installation cable can be fitted via a suitably rated gland into the 2 x 20mm gland entries provided on the back lid.

4. Around the inner section of the chamber where the back lid was removed a rubber gasket is located; please make sure that it is in place when re-fitting the back lid to avoid water penetration. There is a fibreglass sleeve covering the central mounting bolt, it is important that this cover is used as it protects the transformer.



5. Re-fit the speaker to the "U" bracket. Position the speaker to the desired angle then tighten the fixings to secure in place.

6. Before connecting the speaker circuit to the power amplifier we strongly advise that the impedance of the circuit is checked to ensure it is fault free in order to prevent damage to the speaker and or amplification.



Penton UK Ltd

Unit 2 Teville Industrials | Dominion Way | Worthing | West Sussex | BN14 8NW
T: +44 (0)1903 215315 | F: +44(0)1903 215415 | E: sales@pentonuk.co.uk

www.pentonuk.co.uk

JANUARY 2013



RoHS

