

# WEATHERPROOF HORN LOUDSPEAKERS

## ▶ APH20T/ENC

EN54-24



### TECHNICAL SPECIFICATIONS

EN54-24:2008

Certificate No: 0359-CPD-0166 TYPE B

#### ELECTRICAL

Rated power, Watts	20
Tappings 100 volt line, Watts	20/10/5/2.5
Transformer Impedance, Ohms 100V	500/1k/2k/4k
Tappings 70.7 volt line, Watts	10/5/2.5/1.25
Driver impedance, Ohms	8
Effective Frequency Range, Hz (BSEN60268-5)	310-16,000
S.P.L. @ 4m, 1watt, dB, 1/3 Octave, 1KHz	81
S.P.L. @ 1m, 1watt, dB, Test Signal Bandwidth 100Hz-10kHz	107
S.P.L. @ 4m, Full power, dB, 1/3 Octave 1KHz	93
S.P.L. @ 1m, Full power, Test Signal Bandwidth 100Hz-10kHz	120
Dispersion at 1k/2k Hz, Degrees	111/62 Horizontal 148/84 Vertical

#### ENVIRONMENTAL

IP-Rating	33
Max/Min Amb Temp	70°/-25°C
Relative Humidity	≤95%

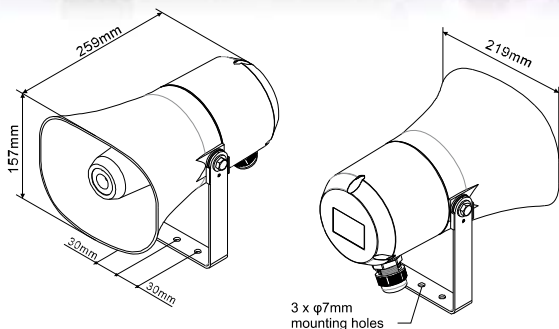
#### MECHANICAL

Dimensions, WxHxD mm	219x157x259
Net Weight, Kgs	1.7
Colour (Unless Specified)	RAL 7035
Material	Low smoke zero Halogen UL-94V0 Plastic with UV inhibitors
Mounting	Stainless Steel U bracket and hardware

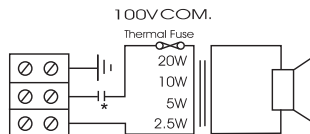
▶ APH20T/ENC is supplied with capacitor for DC line monitoring

# APH20T/ENC

## WEATHERPROOF HORN LOUDSPEAKERS



### CIRCUIT DIAGRAM



APH20T/ENC  
\*with capacitor

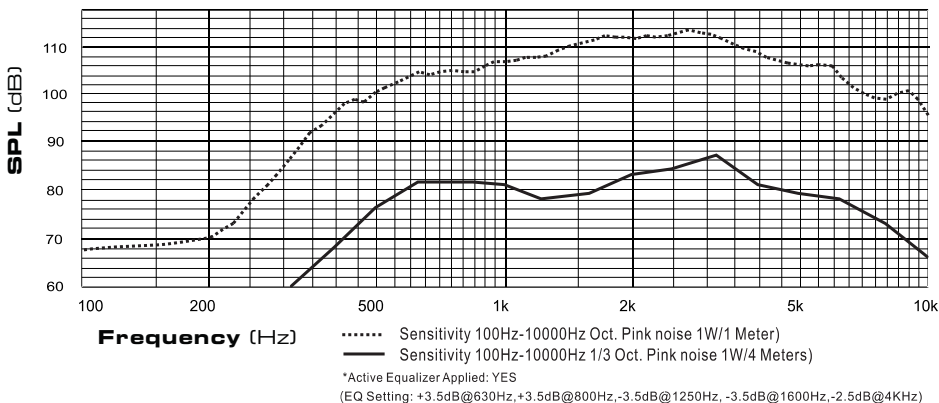
### WITH TRANSFORMER: 100V/70V LINE

	WHITE WIRE PLUS TAPPING				BLACK
100V	2.5W	5W	10W	20W	COM
70V	1.25W	2.5W	5W	10W	COM
IMP (Ω)	4K	2K	1k	500	

### DISPERSION ANGLES

		HORIZONTAL	VERTICAL
<b>1 OCT. PINK NOISE</b>	500 Hz	360°	360°
<b>1 OCT. PINK NOISE</b>	1K Hz	111°	148°
<b>1 OCT. PINK NOISE</b>	2K Hz	62°	84°
<b>1 OCT. PINK NOISE</b>	4K Hz	38°	46°

### FREQUENCY RESPONSE



APH20T/ENC has been tested in 100 hours max power (20W). The model does not deviate by more than  $\pm 3$  dB from the original test value. The frequency response curve and impedance complies with the original one. All SPL tests are performed in an anechoic chamber (<70m<sup>3</sup>)



### Penton UK Ltd

Unit 2 Teville Industrials | Dominion Way | Worthing | West Sussex | BN14 8NW  
 T: +44 (0)1903 215315 | F: +44(0)1903 215415 | E: SALES@PENTONUK.CO.UK

[www.pentonuk.co.uk](http://www.pentonuk.co.uk)

