

CAD20T CAD10T

Indoor/Outdoor 5" Cone Sound Projectors



■ FEATURES

- Frequency Response Tailored for Music or Speech
- Weather-Sealed ABS Housing with Molded-in UV Inhibitor
- Polypropylene Twin-Cone for Excellent Dispersion
- Stainless Steel Hardware

■ DESCRIPTION

Penton Audio models CAD20T and CAD10T are twin-cone, all-weather, full-range music projectors designed for long-term reliability and even coverage in constant-voltage, distributed audio systems.

The handsome, molded ABS housing is protected from elements with a UV inhibitor and sealed from the rear with a silicone rubber-like gasket, a gland nut and stainless steel hardware.

The CAD Series uses a 5-1/4" polypropylene cone that not only has moisture-resistant qualities, but enhanced low frequencies as well.

Visually identical, they are finished in non-reflecting white with matching aluminum "U" brackets. (CAD20T-B is non-reflecting black.) Colors may be customized with epoxy paint.

■ APPLICATION

Versatile in application, the CAD series may be used for surface applications indoors or out and for value-engineered projects without sacrificing audio quality. The durability of the molded ABS housing is well suited for moist outdoor environments, but its European styling makes it a great choice for an indoor track lighting decor.

Mainly considered for music installations, the CAD Series is equally effective for voice reproduction in commercial, industrial, and institutional settings.

Applications include mounting in atriums, malls, banks, upscale stores and outdoor restaurants. Additionally, they can be used for traditional paging situations where the customer demands quality background music.



■ SPECIFICATIONS

<ul style="list-style-type: none"> • CONE SPEAKER SIZE: 5-1/4" (134 mm) 	<ul style="list-style-type: none"> • TRANSFORMER MAX INSERTION LOSS: 0.6 dB 																		
<ul style="list-style-type: none"> • FREQUENCY RESPONSE (SEE FIG 1) CAD20T: 160-20,000 Hz \pm 6 dB CAD10T: 180-20,000 Hz \pm 6 dB 	<ul style="list-style-type: none"> • 70.7-VOLT TRANSFORMER TAPS (WATTS) <table border="1"> <thead> <tr> <th></th> <th>CAD20T</th> <th>CAD10T</th> </tr> </thead> <tbody> <tr> <td>Red</td> <td>20</td> <td>10</td> </tr> <tr> <td>Blue</td> <td>10</td> <td>5</td> </tr> <tr> <td>Orange</td> <td>5</td> <td>2.5</td> </tr> <tr> <td>Yellow</td> <td>2.5</td> <td>1.25</td> </tr> <tr> <td>Black</td> <td>Common</td> <td>Common</td> </tr> </tbody> </table> 		CAD20T	CAD10T	Red	20	10	Blue	10	5	Orange	5	2.5	Yellow	2.5	1.25	Black	Common	Common
	CAD20T	CAD10T																	
Red	20	10																	
Blue	10	5																	
Orange	5	2.5																	
Yellow	2.5	1.25																	
Black	Common	Common																	
<ul style="list-style-type: none"> • LOW FREQUENCY -3dB DOWN POINT: CAD20T: 165 Hz CAD10T: 190 Hz 	<ul style="list-style-type: none"> • 70.7-VOLT TRANSFORMER IMPEDANCE <table border="1"> <thead> <tr> <th></th> <th>CAD20T</th> <th>CAD10T</th> </tr> </thead> <tbody> <tr> <td>Red</td> <td>250</td> <td>500</td> </tr> <tr> <td>Blue</td> <td>500</td> <td>1 K</td> </tr> <tr> <td>Orange</td> <td>1 K</td> <td>2 K</td> </tr> <tr> <td>Yellow</td> <td>2 K</td> <td>4 K</td> </tr> </tbody> </table> 		CAD20T	CAD10T	Red	250	500	Blue	500	1 K	Orange	1 K	2 K	Yellow	2 K	4 K			
	CAD20T	CAD10T																	
Red	250	500																	
Blue	500	1 K																	
Orange	1 K	2 K																	
Yellow	2 K	4 K																	
<ul style="list-style-type: none"> • POWER HANDLING CAD20T: 28 Watts CAD10T: 15 Watts 	<ul style="list-style-type: none"> • SUPPLIED MOUNTING ACCESSORIES: Stainless Steel Bracket Bolts 																		
<ul style="list-style-type: none"> • SPL @ 1w 1m CAD20T: 92 dB CAD10T: 93 dB 	<ul style="list-style-type: none"> • HOUSING MATERIAL: Molded ABS with UV Inhibitors 																		
<ul style="list-style-type: none"> • SPL @ FULL POWER, 1m CAD20T: 105 dB CAD10T: 103 dB 	<ul style="list-style-type: none"> • MOUNTING: Non-reflective White "U" Bracket 																		
<ul style="list-style-type: none"> • DISPERSION @ 2 kHz (6 dB Down): 110° 	<ul style="list-style-type: none"> • APPROVALS: CE 																		
<ul style="list-style-type: none"> • DIRECTIVITY Q FACTOR @ 2 kHz: 5.5 	<ul style="list-style-type: none"> • FINISH: CAD20T: Non-reflective White CAD20T-B: Non-reflective Black CAD10T: Non-reflective White 																		
<ul style="list-style-type: none"> • CONE DESIGN: Twin Cone 	<ul style="list-style-type: none"> • DIMENSIONS, INCH (MM) W/O BRACKET: 5.52 x 8.62 (w/gland nut) (138 x 219) 																		
<ul style="list-style-type: none"> • CONE MATERIAL: Polypropylene 	<ul style="list-style-type: none"> • NET WEIGHT LBS (KGS): CAD20T: 4.18 (1.90) CAD10T: 3.42 (1.55) 																		
<ul style="list-style-type: none"> • MAGNET WEIGHT: CAD20T: 10 oz CAD10T: 5.34 oz 																			
<ul style="list-style-type: none"> • CONNECTION CAD20T-B: Terminal Block CAD20T: Via Wire Nuts or Terminals CAD10T: Via Wire Nuts or Terminals 																			

CAD20T

CAD10T

ARCHITECTS' AND ENGINEERS' SPECIFICATIONS:

Unit shall be Penton Audio USA Model (CAD20T/CAD10T) or approved equal. Assembly shall be comprised of a 5-1/4" twin-cone loudspeaker, internal 70.7-volt transformer with an insertion loss of less than 0.6 dB. Housing shall be molded ABS weather-sealed, protected with UV inhibitor. Cable shall gain entry through a gland nut in housing back. Unit shall have stainless steel hardware and a metal "U" mounting bracket.

CAD20T loudspeaker shall have a polypropylene twin cone; be rated at 20-watts output; 92 dB at 1 watt, 1 meter; have a 110° dispersion and a smooth extended response over a range of 160-20,000 Hz. Transformer shall have 20, 10, 5 and 2.5-watt power taps. Finish shall be non-reflective white (W) or black (B).

CAD10T loudspeaker shall be rated at 10 watts; 93 dB at 1 watt, 1 meter; have 110° dispersion and a smooth extended response over a range of 180-20,000 Hz. Transformer shall have 10, 5, 2.5 and 1.25-watt power taps. Finish shall be non-reflective white.

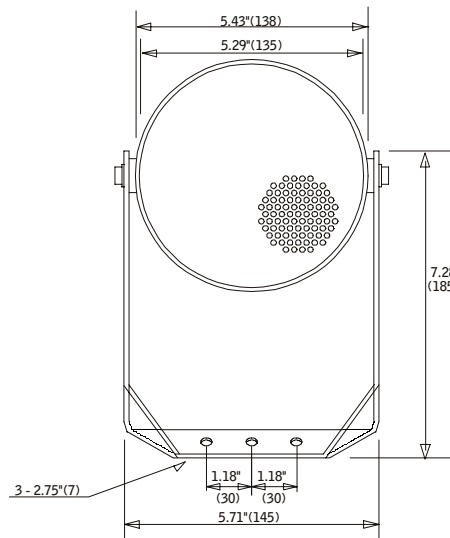


Fig 3: Front View

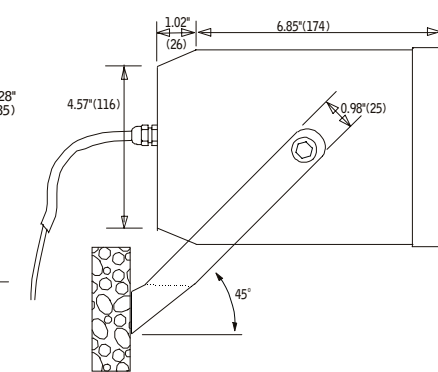
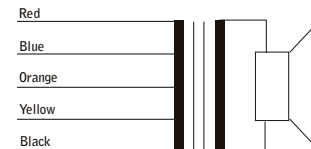


Fig 4: Side View



COLOR	CAD10T	CAD20T
Red	10W	20W
Blue	5W	10W
Orange	2.5W	5W
Yellow	1.25W	2.5W
Black	COM	COM

Fig 5: Circuit Diagram

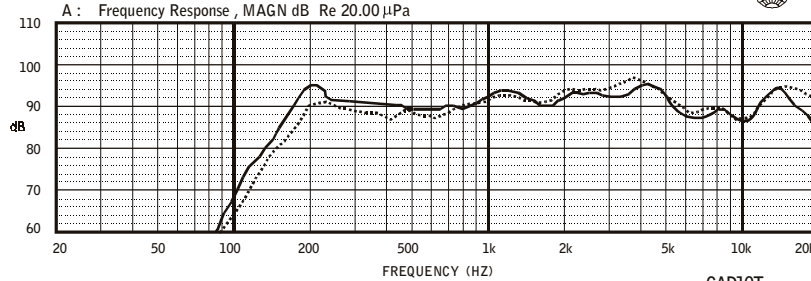


Fig 1: Frequency Response

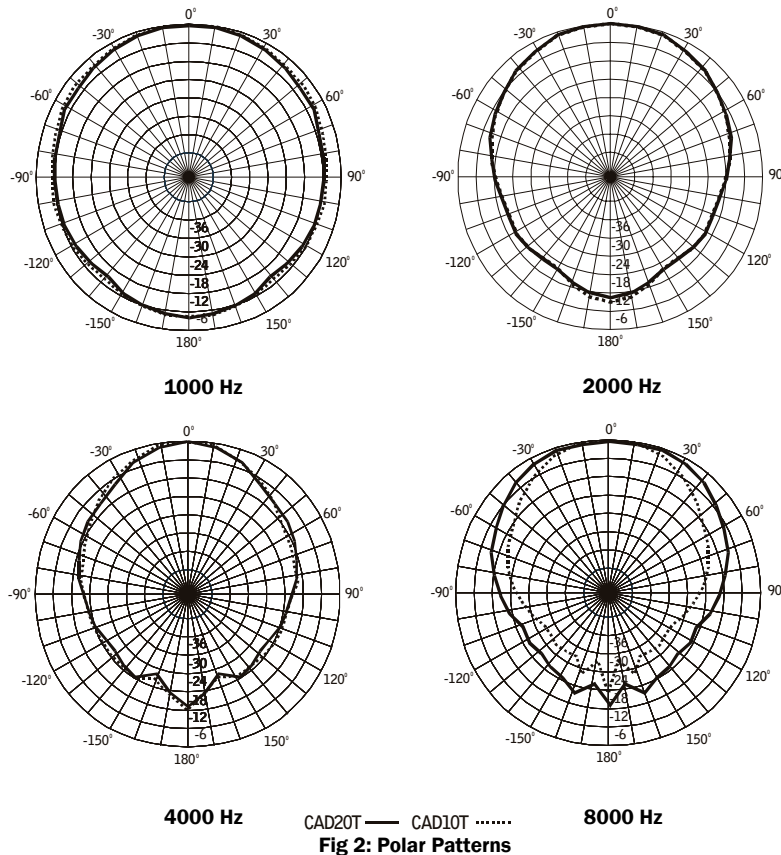


Fig 2: Polar Patterns

