

CCS4T

High Performance Closed-Back Ceiling Speaker



1

FEATURES

- Time tested metal grille with hardware free appearance
- Clamp-on mounting system for fast and easy installation
- Designed for maximum bass output even at low volume
- Sealed speaker/backbox assembly
- Dual 70.7/100V Xfr mr with dial wattage selection on front
- Phoenix terminal block connection

DESCRIPTION

The Penton Audio USA CC S4T was designed for high-end audio installation where full impact bass output along with high sound pressure levels is imperative. The speaker component is situated in a sealed metal back-box with a UL Plenum compliant wire connection on the back of the back-box. Installer friendly phoenix style terminal blocks quickly and easily connect to the speaker and also offers a pass-through connection for continuing the line to other speakers in the system.

The unit uses a 4" long throw low frequency driver along with a 1" tweeter mounted on axis for single point sound output. A bass port on the front of the baffle serves to further extend the low frequencies of this speaker. Transformer selection is completed via a screwdriver adjustable dial on the front of the baffle easily accessible by removing the grille. With a maximum 30 Watts transformer tap selection this speaker offers unique sonic qualities along with a substantial sound pressure level.

APPLICATION

The CCS4T is an excellent choice for any type of background music application and a good choice for many foreground music applications as well. Upscale restaurants, sports clubs, hotels, malls, and any other location where high-quality audio is desired will find the CC S4T to be a very attractive choice. With its low profile it is also a great choice for boardrooms and other venues where high quality sound is imperative, but the visual aspects of the speaker are equally important.



SPECIFICATIONS

Cone speaker size:
4"

Frequency Response:
85Hz – 20kHz +/- 5 dB

Power handling (raw driver)
45 watts

SPL @ 1w 1m
86 dB

Dispersion @ 4 kHz
130

Speaker design:
Coaxial

Tweeter Type:
1" titanium dome with 1/2" moving coil and neodymium magnet

Cone Material (driver)
Polypropylene with rubber surround

Magnet Weight:
40 oz

Transformer max insertion loss:
0.6 dB

Transformer Tap Change:
Screwdriver adjustable dial

Connection:
Detachable Phoenix style terminal block

70.7V Transformer Taps:
30, 15, 7.5, 3.7

100 V Transformer Taps:
30, 15, 7.5

Mounting:
Quick connect Flip-Out and Tighten Connectors

Baffle Material:
High-Impact PVC

Finish:
White

Suggested Mounting Accessories:
BRG4 Tile Bridge

Dimensions:
Front: 7 1/2" total, 6 1/4" cutout
Depth Required: 7"

Net Weight (lbs)
5 1/2 lbs

Listings:
UL1480

CCS4T

ARCHITECTS' AND ENGINEERS' SPECIFICATIONS:

Unit shall be Penton Audio USA Model CCS4T or approved equal. Assembly shall be comprised of a coaxial 4" loudspeaker with 40 Oz magnet and a 1" titanium tweeter with a ½" moving coil and neodymium magnet. It shall also have a pre-mounted dual wattage transformer in a sealed enclosure with UL Plenum compliant wire terminations.

Baffle shall be round with inner mesh grille. Installation shall be by quick connect flip-out and tighten connectors.

Loudspeaker shall have a 130 dispersion pattern and a smooth frequency response ranging from 85Hz to 20kHz +/- 5dB. Sensitivity shall be a minimum of 86dB @ 1 watt 1 meter.

Transformer shall be pre-mounted with wattage selection of 3.75, 7.5, 15, and 30 watts. Tap selection shall be done via screwdriver adjustable dial on front of the baffle assembly. Insertion loss shall not exceed 0.8dB.

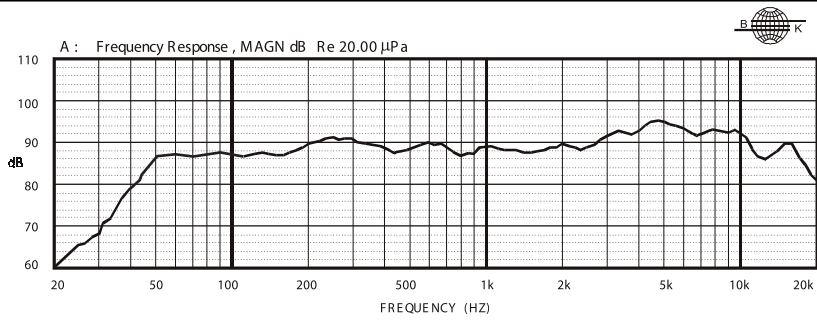


Fig 1: Frequency Response (Measured in Infinite Baffle)

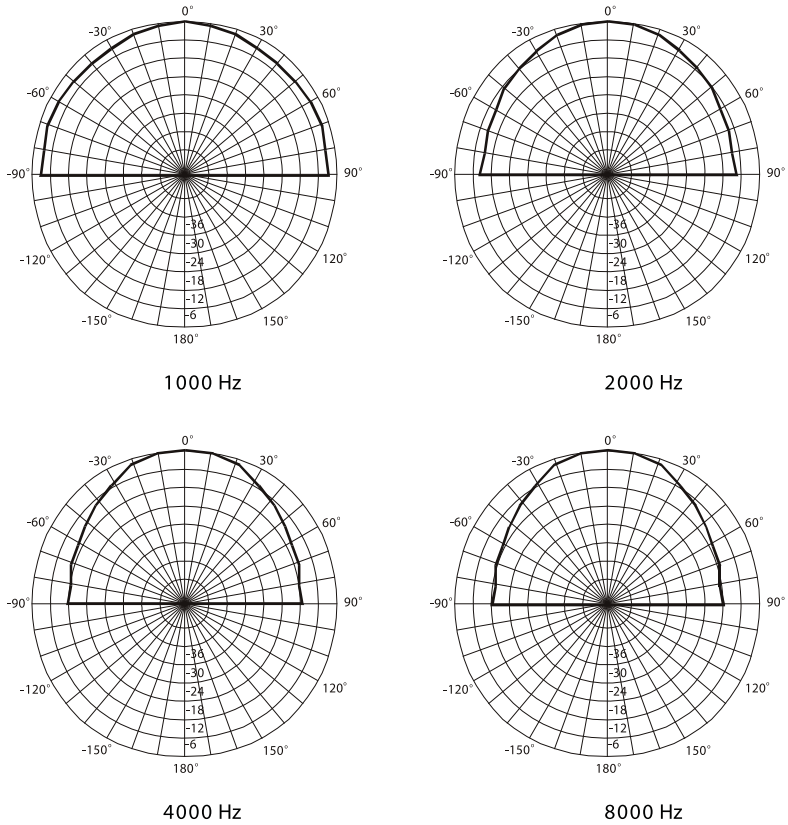


Fig 2: Polar Patterns

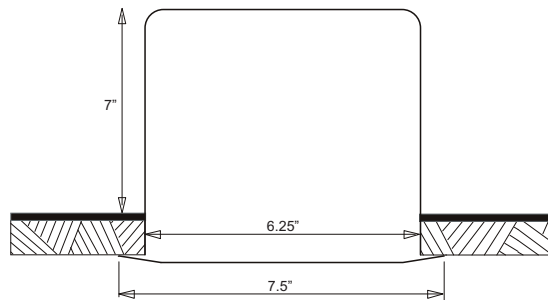


Fig 3: Side View