

CELL20T CELL10T

Extruded Aluminum Sound Projectors



■ FEATURES

- Frequency Response Tailored for Music or Speech
- Sealed, Rugged Extruded Aluminum Housing
- Twin-Cone Speaker for Excellent Dispersion
- Stainless Steel Hardware

■ DESCRIPTION

Penton Audio CELL20T and CELL10T are attractive, but rugged sound/music projectors for use in constant-voltage systems requiring quality audio. Each has a 5-1/4" full-range twin-cone speaker. Units are rear sealed via a silicone rubber-like gaskets and gland nuts.

The CELL20T uses a polypropylene cone for use in outdoor environments, whereas the CELL10T uses a traditional paper cone for indoor applications. Both offer long-term reliability and even coverage.

Visually identical, both models have stainless steel hardware. They are finished in white with matching aluminum "U" brackets and aluminum grilles. Housings can be painted using epoxy paint.

■ APPLICATION

The fashionable European-styled CELL Series projects a strong precision-like appearance, while having a frequency response ideal for background music or voice communication.

The CELL10T is designed to be mounted indoors in malls, restaurants, sporting venues, parking facilities, transportation terminals, food centers and hotel/motel applications.

The treated-paper twin cones of the CELL20T are ideal for outdoor situations to best take advantage of its sealed housing and stainless steel hardware. It handily reproduces music or traditional paging in commercial facilities like shopping centers, country clubs, park districts restaurants as well as in industrial, institutional and military installations.



4

■ SPECIFICATIONS

• CONE SPEAKER SIZE:

5-1/4" (134 mm)

• FREQUENCY RESPONSE (SEE FIG 1):

CELL20T: 160-18,000 Hz \pm 5 dB
CELL10T: 180-20,000 Hz \pm 6 dB

• -3dB DOWN POINT:

CELL20T: 165 Hz
CELL10T: 190 Hz

• POWER HANDLING:

CELL20T: 28 Watts
CELL10T: 15 Watts

• SPL @ 1w 1m:

CELL20T: 92 dB
CELL10T: 93 dB

• SPL @ FULL POWER, 1m:

CELL20T: 105 dB
CELL10T: 105 dB

• DISPERSION @ 2 kHz (6 dB Down):

110°

• DIRECTIVITY Q FACTOR @ 2 kHz:

5.5

• CONE DESIGN:

Twin Cone

• CONE MATERIAL:

CELL20T: Polypropylene
CELL10T: Paper Cone

• MAGNET WEIGHT:

CELL20T: 10 oz
CELL10T: 5.34 oz

• TRANSFORMER MAX INSERTION LOSS:

0.6 dB

• TRANSFORMER TAP CHANGE:

Via Color-coded Wire

• 70.7-VOLT TRANSFORMER TAPS (WATTS)

	CELL20T	CELL10T
Red	20	10
Blue	10	5
Orange	5	2.5
Yellow	2.5	1.25
Black	Common	Common

• 70.7-VOLT TRANSFORMER IMPEDANCE:

	CELL20T	CELL10T
Red	250	500
Blue	500	1 K
Orange	1 K	2 K
Yellow	2 K	4 K

• APPROVALS:

CE

• HOUSING MATERIAL:

Extruded Aluminum

• FINISH:

Baked-on White Epoxy Paint

• MOUNTING:

Non-reflective White "U" Bracket

• SUPPLIED MOUNTING ACCESSORIES:

Stainless Steel Bracket Bolts

• DIMENSIONS, INCH (MM) W/O BRCKT:

5.91 x 8.27 (w/gland nut)
(150 x 210)

• NET WEIGHT LBS (KGS):

CELL20T: 5.29 (2.40)
CELL10T: 4.41 (2.00)

CELL20T

CELL10T

ARCHITECTS' AND ENGINEERS' SPECIFICATIONS:

Loudspeaker package shall be Penton Audio USA Model (CELL20T/CELL10T) or approved equal. Assembly shall be comprised of a 5-1/4" twin-cone loudspeaker; internal 70.7-volt transformer with an insertion loss of less than 0.6 dB. Housing shall be extruded aluminum finished in white. 19" five-conductor cable shall gain entry through a gland nut. Included shall be stainless steel hardware and a metal "U" mounting bracket.

CELL20T shall be weather-resistant; rated at 20 watts; 92 dB at 1 watt, 1 meter; have a polypropylene twin cone; 110° dispersion and a smooth extended response over a range of 160-18,000 Hz. Its transformer shall have 20, 10, 5 and 2.5-watt power taps.

CELL10T shall be rated at 10 watts; 93 dB at 1 watt, 1 meter; have 110° dispersion; and a smooth extended response over a range of 180-20,000 Hz. Its transformer shall have 10, 5, 2.5 and 1.25-watt power taps.

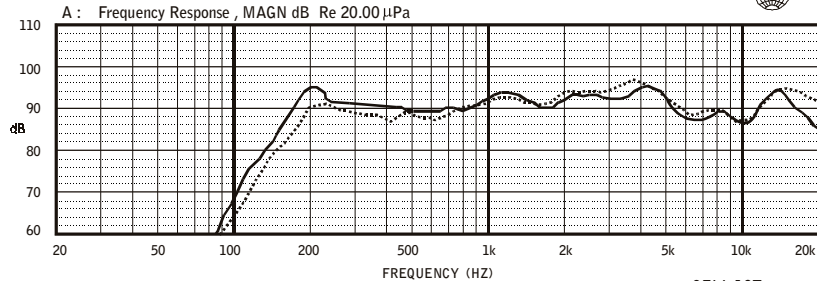


Fig 1: Frequency Response

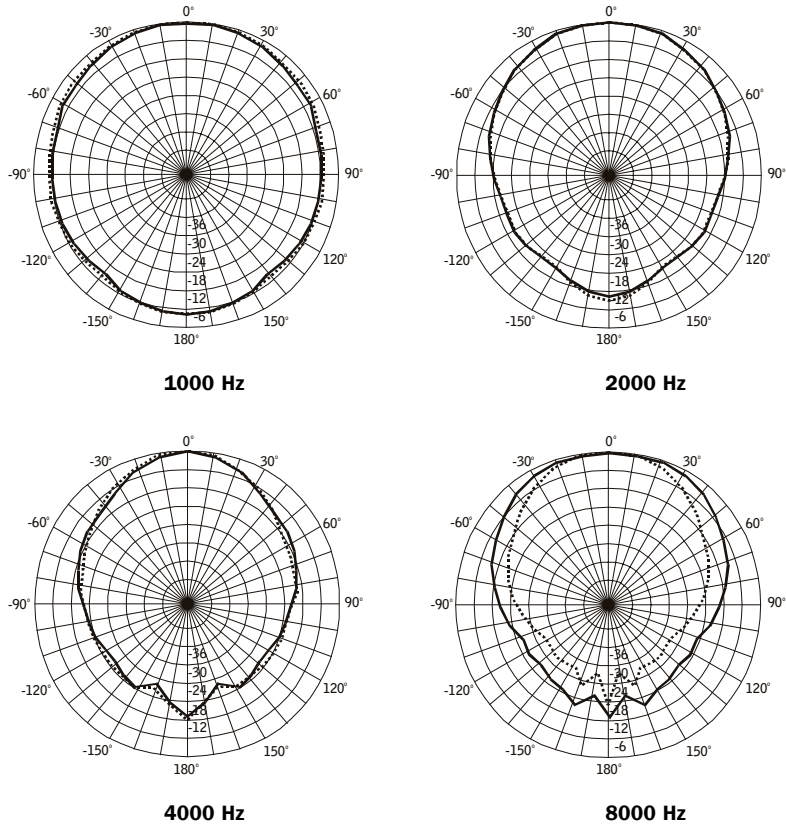


Fig 2: Polar Patterns

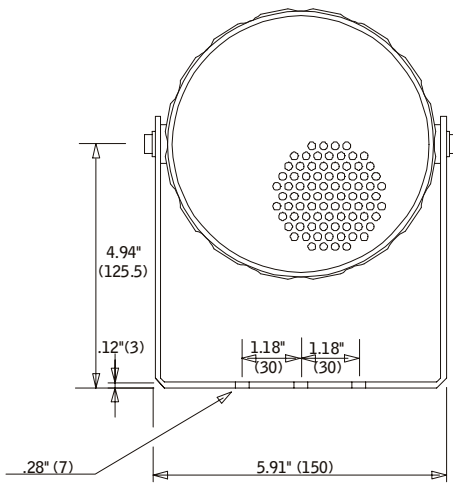


Fig 3: Front View

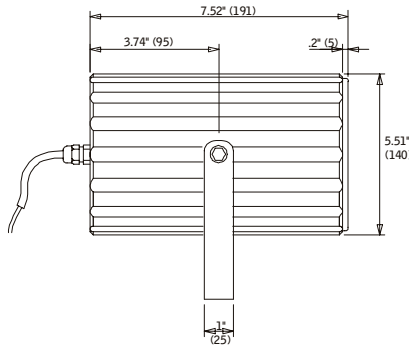


Fig 4: Side View

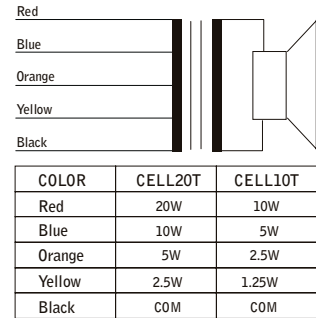


Fig 5: Circuit Diagram

Penton Audio USA

a subsidiary of Penton Media Technologies

406 Lincoln St., Marlborough, MA 01752



Phone: (888) 883-8383

Fax: (888) 821-2121

Website: www.penton-usa.com

© 2002 Penton Audio USA

Specifications subject to change without notice

SS02-4021