

DSM2000 DSM2010

Desktop Paging Microphones



■ FEATURES

- Great Gain-Before-Feedback with Super-Cardioid Polar Pattern
- Choice of 2 Models with Push-to-Talk Options
- Gooseneck Mounted Mic for Easy Adjustment

■ DESCRIPTION

The D Series from Penton Audio USA are desktop paging microphones. Each has a very directional, super-cardioid pickup pattern helpful in allowing the unit to be used at normal distances in critical gain-before-feedback situations.

Model DSM2010 (S for switch) has a momentary Press-to-Talk switch. The DSM2000 includes that P-T-T switch along with a smaller lock-on switch.

Each model has a dynamic, moving coil, low-impedance capsule with neodymium magnet mounted inside a turned aluminum case. The capsule is mounted on a thin adjustable mini gooseneck, which in turn is mounted on a zinc diecast base with stylish ABS cover. All D Series microphones have a 5-conductor cable that is nearly 10' long. The cable is connected at one end to the base with the other end stripped and tinned for customer preferred and supplied connector.

■ APPLICATION

Not all paging systems require constant operation, but instead are used by selected personnel. Successfully operated for over 10 years for limited access paging, the D Series microphones are the choice for system use by attendants, hosts/hostesses, secretaries and office managers. Their high output is ideal for use in places such as restaurants, factories, country clubs, warehouses, park districts and stores.

Microphone cable connector is customer selected and installed depending upon installation application requirement.



■ SPECIFICATIONS

- | | |
|--|--|
| <ul style="list-style-type: none"> • CARTRIDGE TYPE:
Dynamic Moving Coil • POLAR PATTERN:
Super Cardioid • MAGNET MATERIAL:
Neodymium • IMPEDANCE:
600 Ohms • FREQUENCY RESPONSE:
100-12,000 Hz • SENSATIVITY:
-52 dB (0 dB=1mw per 10 microbars) • OPEN CIRCUIT VOLTAGE:
-72 dB (0 dB=1 volt per microbar) • SWITCH TYPE:
Micro • GOOSENECK THICKNESS:
2 mm • SWITCH FUNCTIONS
DSM2000: P-T-T & Lock On
DSM2010: P-T-T only | <ul style="list-style-type: none"> • PHASING:
Positive Pressure on the Diaphragm causes Positive Voltage on Red Wire • CABLE, FT (M):
9.84 (3) Five-Conductor Shielded • APPROVALS:
CE • MATERIALS
Base: Zinc Die Cast
Base Cover: ABS
Gooseneck: Steel
Microphone Case: Aluminum • FINISH:
Matte Black with White Trim • DIMENSIONS, INCH (MM):
5.63 x 3.47 x 13 (143 x 88 x 329) • NET WEIGHT LB (GS):
DSM2000: 1.1 (490)
DSM2010: 1.1 (490) |
|--|--|

DSM2000 DSM2010

ARCHITECTS' AND ENGINEERS' SPECIFICATIONS:

Unit shall be Penton Audio USA Model (DSM2000, DSM2010) or approved equal. Desktop paging microphone shall consist of a dynamic, moving-coil cartridge with a super-cardioid polar pattern and an impedance of 600 ohms. Frequency response shall be 100 - 12,000 Hz.

Capsule shall include a neodymium magnet, be in an aluminum housing sitting atop a 2-mm-thick gooseneck and connected to a zinc die-cast base with ABS top. Entire unit shall have a matte black finish with white trim. A 5-conductor 9.84' bare-ended cable shall be attached.

(DSM2000 shall have a momentary Press-to-Talk switch with lock-on capability.)

(DSM2010 shall have a momentary Press-to-Talk switch.)

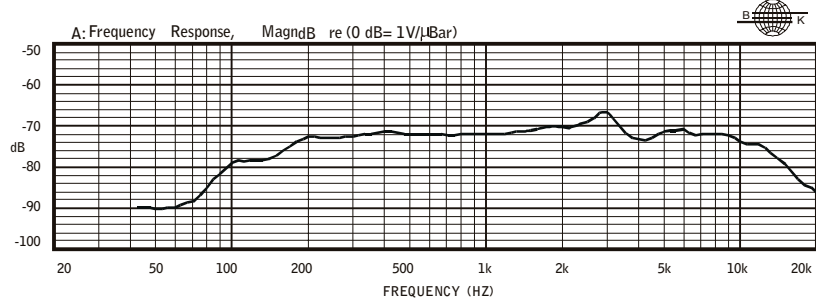


Fig 1: Frequency Response

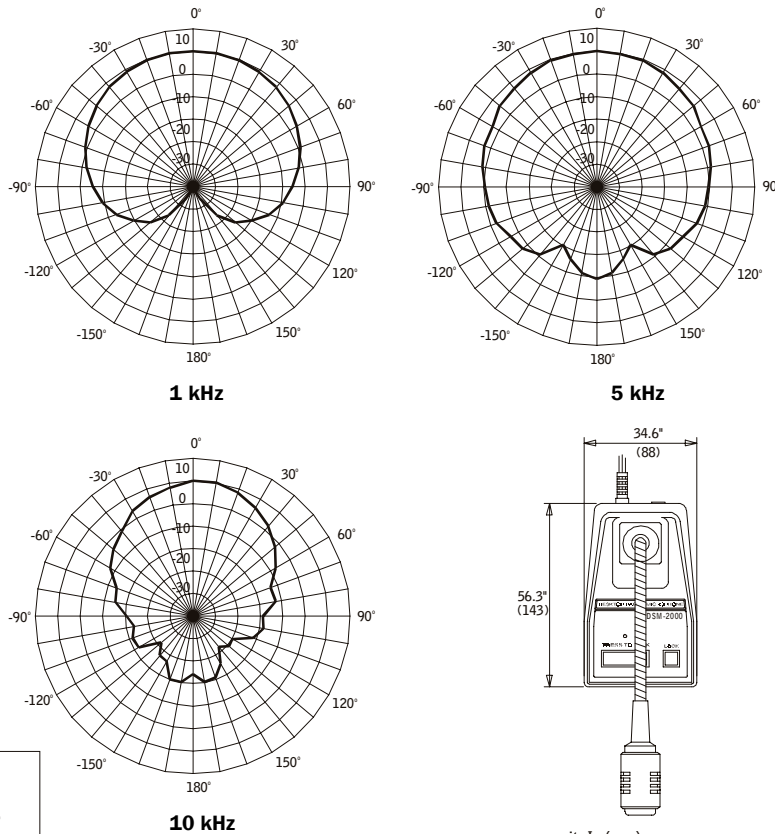
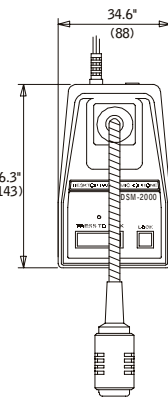
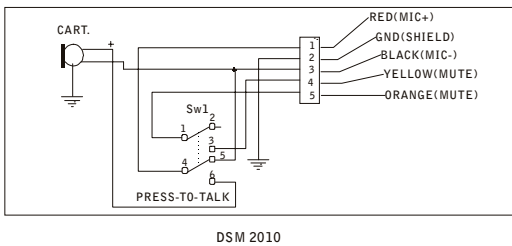


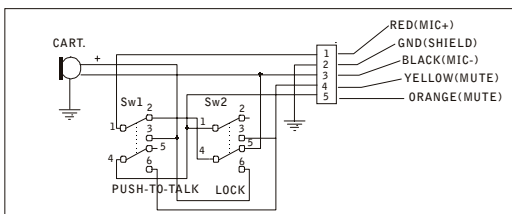
Fig 2: Polar Patterns



unit: In.(mm)
Fig 4: Top View

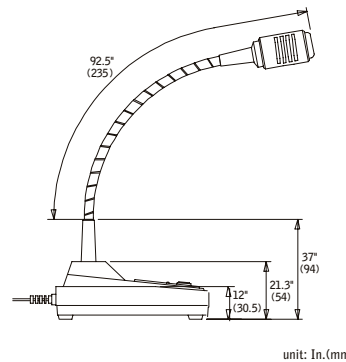


DSM 2010



DSM 2000

Fig 3: Circuit Diagram



unit: In.(mm)
Fig 5: Side View

Penton Audio USA

a subsidiary of Penton Media Technologies

406 Lincoln St., Marlborough, MA 01752



Phone: (888) 883-8383

Fax: (888) 821-2121

Website: www.penton-usa.com

© 2002 Penton Audio USA

Specifications subject to change without notice

SS02-6011