

JD20XT JD20X16

Foreground Music Loudspeaker System



■ FEATURES

- European Styled, Durable Weather-Resistant Design
- Polypropylene Cone, Rubber Surround, Neodymium Tweeter
- 70.7-volt Xfrmr With Front, Screwdriver-adjustable Taps

■ DESCRIPTION

The JD20XT from Penton Audio is a full-range weather-resistant mini speaker measuring just 6" x 9" x 6". Available in black or white, models include a constant voltage transformer, full-range 20-watt, 5" coaxial loudspeaker and a mounting bracket. As with most Penton products, it is strikingly handsome. Visually identical, the JD20X16 is 16 ohms.

This model's shaped frequency response reproduces music with high accuracy, featuring polypropylene cone with rubber surround, high-temperature voice coil and a tweeter with Mylar diaphragm and neodymium magnet.

Concealing a 70.7-volt transformer with screwdriver-adjustable taps, its ABS housing has UV inhibitors for long life without noticeable deterioration. For added strength, its grille screen is CRS and has an epoxy coating.

Secured with a stainless steel set screw, its patented aluminum mounting bracket allows attachment to single gang or double-gang box (patent applied for). The entire model is finished in your choice of white (-W) or black (-B). Connection is via chrome-plated push terminals.

■ APPLICATION

Mini loudspeakers are very practical for providing full-range audio with an extremely low profile. If desired the JD20XT and JD20X16 can be well hidden on walls and painted with epoxy paints. Mainly utilized for background and foreground music, it still allows vocals and important announcements to cut through.

Typical applications include boutiques, restaurants, taverns, atriums, shopping centers, boardrooms and corporate offices.



■ SPECIFICATIONS

- **SPEAKER CONE SIZE:**
5" (127 mm)
- **SPEAKER TYPE:**
Coaxial
- **FREQUENCY RESPONSE (SEE FIG 1):**
75 - 20,000 Hz \pm 5 dB
- **POWER HANDLING:**
20 watts
- **SPL @ 1w 1m:**
85 dB
- **SPL @ 20w 1m:**
97 dB
- **OUTPUT:**
JD20XT: 70.7 volts
JD20X16: 16 ohms
- **DISPERSION @ 4 kHz (5 dB Down H V):**
120° x 50°
- **DIRECTIVITY Q FACTOR @ 2 kHz:**
6.90
- **CONE MATERIAL:**
Polypropylene
- **CONE MAGNET WEIGHT:**
8.0 oz
- **MAGNET**
Cone Driver: Ceramic
Tweeter: Neodymium
- **TRANSFORMER MAX INSERTION LOSS:**
0.6 dB
- **CONNECTION:**
Chrome-plated Push Terminals
- **70.7-VOLT XFRMR ROTARY TAPS R TO L:**
JD20XT: 20, 10, 5, 2.5 watts
- **70.7-VOLT TRANSFORMER IMPEDANCE:**
Black Common
Red 250
Blue 500
White 1 K
Yellow 2 K
- **APPROVALS:**
CE
- **ATTACHED MOUNTING ACCESSORY:**
Ball Mount with Set Screw
- **HOUSING MATERIAL:**
Molded ABS with UV Inhibitor
- **FINISH:**
Non-reflective White (W) or Black (B)
- **DIMENSIONS, INCH (MM):**
8.94 x 5.75 x 6.00 (227 x146 x 153)
- **WITHOUT BRACKET:**
8.94 x 5.75 x 5.75 (227 x146 x 146)
- **NET WEIGHT LBS (KGS):**
3.94 (1.79) Bracket Included

JD20XT

JD20X16

ARCHITECTS' AND ENGINEERS' SPECIFICATIONS:

Unit shall be Penton Audio USA Model (JD20XT, JD20X16) or approved equal. Speaker system shall contain a coaxial loudspeaker, housing and mounting bracket.

Model shall use a 5" coaxial speaker with polypropylene cone and 8-ounce ceramic magnet. Tweeter shall have a neodymium magnet structure and Mylar diaphragm. Unit shall have a smooth extended response over a range of 88 to 20,000 Hz and 120° dispersion. 85 dB shall be the minimum sensitivity, 1 watt, 1 meter.

JD20XT transformer shall operate on 70.7-volts with power taps of 20, 10, 5 and 2.5 watts. Frequency response shall be 0.6 dB@ 100 Hz to 10 kHz. Insertion loss shall not exceed (0.8 dB).

High-impact ABS housing shall be aesthetically pleasing and treated with UV inhibitors. Speaker shall be protected with an epoxy-coated CRS grille. Model shall be finished in white (-W) or black (-B).

The JD20XT and JD20X16 are specified.

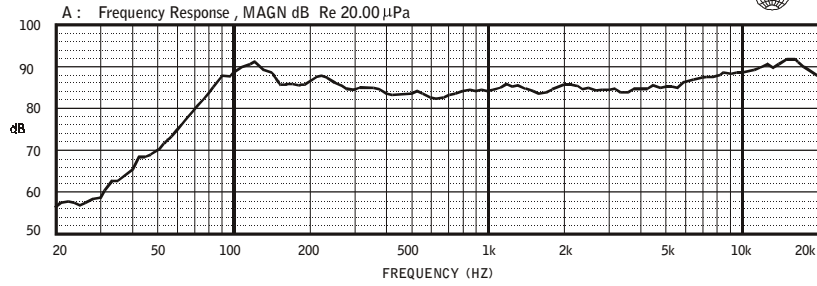


Fig 1: Frequency Response

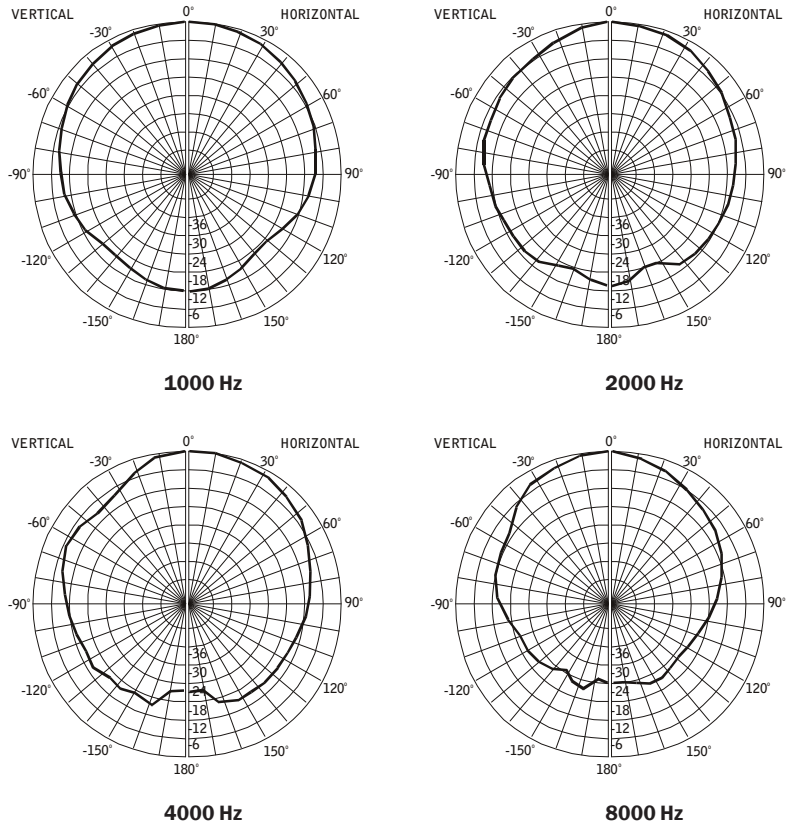


Fig 2: Polar Patterns

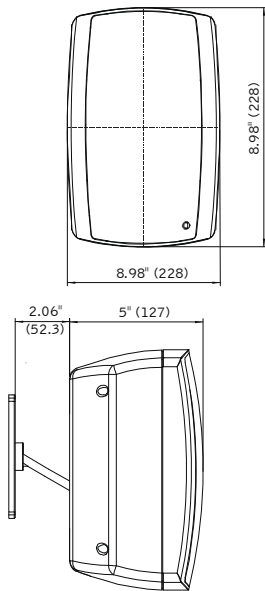


Fig 3: Dimensions

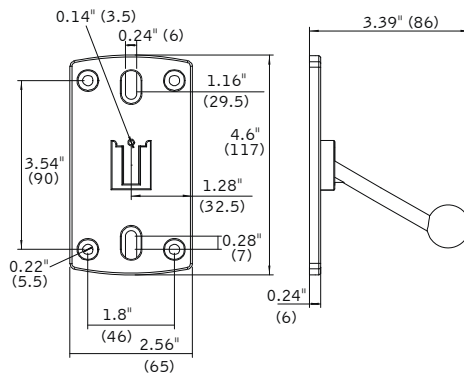


Fig 4: Mounting Bracket

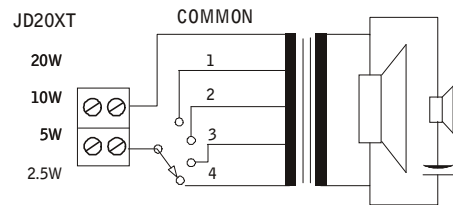


Fig 5: Circuit Diagram

Penton Audio USA

a subsidiary of Penton Media Technologies

406 Lincoln St., Marlborough, MA 01752



Phone: (888) 883-8383

Fax: (888) 821-2121

Website: www.penton-usa.com

© 2002 Penton Audio USA

Specifications subject to change without notice

SS02-3031