

JD40XT

Foreground Music Loudspeaker System



■ FEATURES

- European Styled, Durable Weather-Resistant Design
- Polypropylene Cone, Rubber Surround, Neodymium Tweeter
- 70.7-volt Xfrmr With Front, Screwdriver-adjustable Taps

■ DESCRIPTION

The JD40XT from Penton Audio is a full-range weather-resistant mini speaker measuring just 8" x 12" x 7.5". Available in black or white, models include a constant voltage transformer, full range 40-watt, coaxial loudspeaker and a mounting bracket.

This model's shaped frequency response reproduces music with high accuracy, featuring polypropylene cone with rubber surround, high-temperature voice coil and a tweeter with Mylar diaphragm and neodymium magnet.

Concealing a 70.7-volt transformer with screwdriver-adjustable taps, its ABS housing has UV inhibitors for long life without noticeable deterioration. For added strength, its grille screen is CRS and has an epoxy coating

The speaker can be secured with its stainless steel set screw and patented aluminum mounting bracket. The entire model is finished in your choice of white (-W) or black (-B). Connection is via chrome-plated push terminals.

■ APPLICATION

Mini loudspeakers are very practical for providing full-range audio with an extremely low profile. If desired the JD40XT can be well hidden on walls and painted with epoxy paints. Mainly utilized for background music, it still allows vocals and important announcements to cut through.

Typical applications include boutiques, restaurants, taverns, atriums, shopping centers, boardrooms and corporate offices.



1

■ SPECIFICATIONS

- **SPEAKER CONE SIZE:**
6" (152.39 mm)
- **SPEAKER TYPE:**
Coaxial
- **FREQUENCY RESPONSE (SEE FIG 1):**
75 - 20,000 Hz \pm 5 dB
- **POWER HANDLING:**
40 watts
- **SPL @ 1w 1m:**
85 dB
- **SPL @ 40w 1m:**
97 dB
- **OUTPUT:**
70.7 volts
- **DISPERSION @ 4 kHz (5 dB Down H V):**
120° x 50°
- **DIRECTIVITY Q FACTOR @ 2 kHz:**
6.90
- **CONE MATERIAL:**
Polypropylene
- **CONE MAGNET WEIGHT:**
8.0 oz
- **MAGNET:**
Cone Driver: Ceramic
Tweeter: Neodymium
- **TRANSFORMER MAX INSERTION LOSS:**
0.6 dB
- **CONNECTION:**
Chrome-plated Push Terminals
- **70.7-VOLT XFRMR ROTARY TAPS R TO L:**
40, 20, 10, 5 watts
- **70.7-VOLT TRANSFORMER IMPEDANCE:**
Black Common
Red 250
Blue 500
White 1 K
Yellow 2 K
- **APPROVALS:**
CE
- **ATTACHED MOUNTING ACCESSORY:**
Ball Mount with Set Screw
- **HOUSING MATERIAL:**
Molded ABS with UV Inhibitor
- **FINISH:**
Non-reflective White (W) or Black (B)
- **DIMENSIONS, INCH (MM):**
8.07 x 12.32 x 7.48 (205 x 313 x 190)
- **WITHOUT BRACKET:**
8.07 x 12.32 x 7.48 (205 x 313 x 190)
- **NEW WEIGHT LBS (KGS):**
6.83 (3.10) Bracket Included

JD40XT

ARCHITECT'S AND ENGINEERS' SPECIFICATIONS

Unit shall be Penton Audio USA Model JD40XT or approved equal. Speaker shall contain a coaxial loudspeaker, housing and mounting bracket.

Model shall use a 6" coaxial speaker with polypropylene cone and 8-ounce ceramic magnet. Tweeter shall have a neodymium magnet structure and Mylar diaphragm. Unit shall have a smooth extended response over a range of 88 to 20,000 Hz and 120° dispersion. 85 dB shall be the minimum sensitivity, 1 watt, 1 meter.

JD40XT transformer shall operate on 70.7-volts with power taps of 40, 20, 10 and 5 watts. Frequency response shall be 0.6dB @ 100Hz to 10 Hz. Insertion loss shall not exceed (0.8 dB).

High impact ABS housing shall be aesthetically pleasing and treated with UV inhibitors. Speaker shall be protected with an epoxy-coated CRS grille. Model shall be finished in white (-W) or black (-B).

Fig. 1: Frequency Response

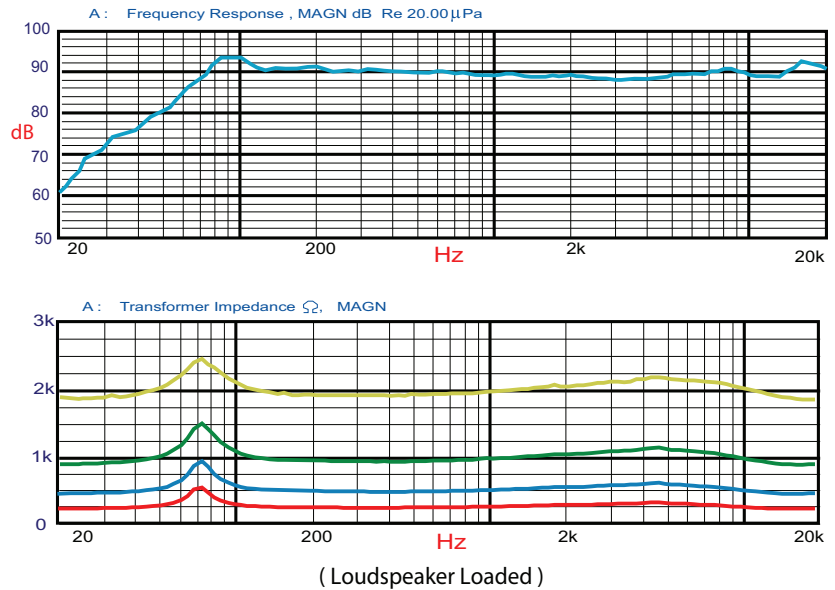


Fig. 2: Circuit Diagram

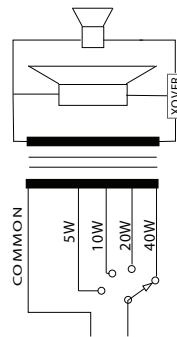


Fig. 3: Polar Pattern

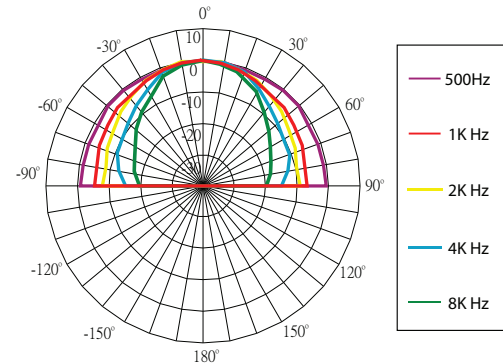


Fig. 4: Mounting Bracket

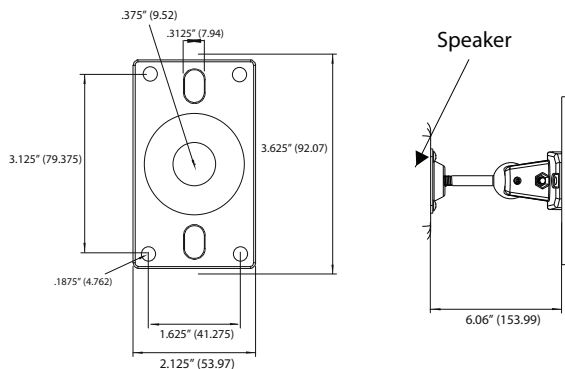
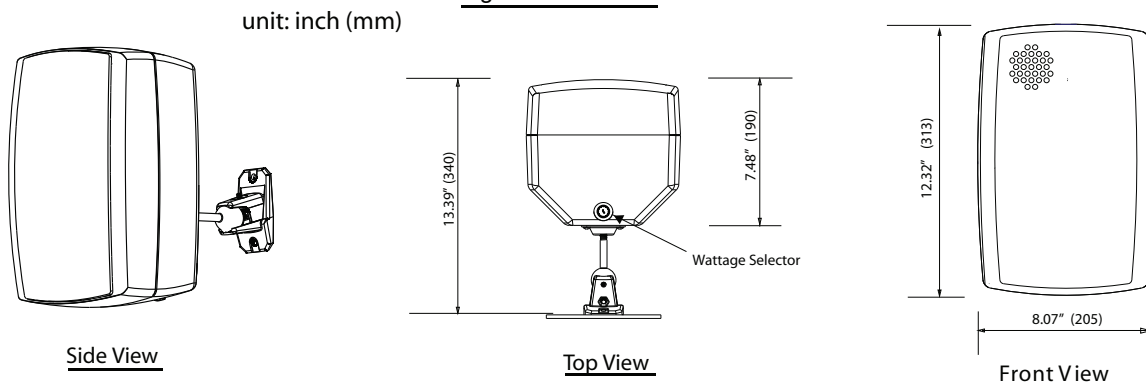


Fig. 5: Dimensions



Penton Audio USA

Tel: 888-883-8383

Website: www.penton-usa.com

Fax: 888-821-2121



©2010 Penton Audio USA - Specifications subject to change without notice