

# LBC8T-HK LBC8+T-HK

## 8" Twin Cone Open-Ceiling Speaker Systems



### ■ FEATURES

- Upward or Downward hanging kits available
- Easy to Install
- Twin-Cone Speaker for Good High-frequency Dispersion
- Dual 70.7/25-volt Xfmr for Use in Most Applications
- Choose White or Black

### ■ DESCRIPTION

The Penton Audio LBC8T-HK and LBC8+T-HK Series are economical wide-range assemblies designed for open-ceiling applications. Each includes a loud-speaker, grille and internal 70.7/25-volt transformer in an enclosure.

This series uses proven 8" self-edged twin-cone loudspeakers. The LBC8+T-HK speaker uses an impressive 10-ounce magnet. Both have 70.7/25-volt transformers with 5, 2, 1, 0.5 and 0.25-watt taps.

The steel enclosure volume is 295 cubic inches. Connection is made via, 5-conductor wire. Attached is a heavy-gauge CRS grille using mounting studs to show only 4 surface screws. Models are offered in non-reflecting ceiling white (-W) and black (-B).

### ■ APPLICATION

The LBC-HK Series are suspended via braided steel cable.

All models are equally effective for background music, voice transmission, music, sound masking and signal reproduction. They are excellent for commercial, industrial and institutional installations. Applications start with open-ceiling retail stores with a warehouse look and include schools manufacturing offices and wherever precise transmission of audio is required.



### ■ SPECIFICATIONS

• **CONE SPEAKER SIZE:**  
8" (203 mm)

• **FREQUENCY RESPONSE (SEE FIG 1):**  
60-20,000 Hz  $\pm$  6 dB

• **POWER HANDLING (RAW DRIVER):**  
LBC8T-HK: 10 watts  
LBC8+T-HK: 15 watts

• **SPL @ 1w 1m:**  
LBC8-HK: 95 dB  
LBC8+T-HK: 96 dB

• **DISPERSION @ 2 kHz (6 dB Down):**  
100°

• **DIRECTIVITY Q FACTOR @ 2 kHz:**  
6.90

• **CONE DESIGN:**  
Twin Cone

• **CONE MATERIAL:**  
Paper

• **MAGNET WEIGHT:**  
LBC8T-HK: 5.34 oz  
LBC8+T-HK: 10 oz

• **TRANSFORMER MAX INSERTION LOSS:**  
1.5 dB

• **CONNECTION:**  
Via Wire Nuts

• **APPROVALS:**  
CE

• **70.7-VOLT XFMR TAPS/IMPEDANCE:**

Yellow:	5 watts	1K
Green:	2 watts	2.5K
Blue:	1 watt	5K
Violet:	0.5 watt	10K
White:	0.25 watt	20K
Black:	Common	----

• **25-VOLT XFMR TAPS/IMPEDANCE:**

Brown:	5 watts	125
Red:	2 watts	312
Orange:	1 watt	625
Yellow:	0.625 watt	1K
Green:	0.25 watt	2.5K
Black:	Common	----

• **SUPPLIED MOUNTING ACCESSORIES:**  
2 Attached Beam Clamps

• **BAFFLE/ENCLOSURE MATERIAL:**  
Steel

• **EPOXY POWDER-COATED FINISH**  
Suffix: (-W) indicates White  
Suffix: (-B) indicates Black

• **DIMENSIONS, LXWXD; INCH (MM):**  
12.62 x 5.9 (321 x 150)

• **NET WEIGHT LBS (KGS)**  
LBC8T-HK: 4.74 (2.15)  
LBC8+T-HK: 5.29 (2.4)

• **ACCESSORIES:**  
Upward hanging kit  
Downward hanging kit

# LBC8T-HK    LBC8+T-HK

## ARCHITECTS' AND ENGINEERS' SPECIFICATIONS:

Unit shall be Penton Audio USA Model (LBC8T-HK/LBC8+T-HK) or approved equal. One-piece assembly shall be comprised of an 8" loudspeaker, 70.7/25-volt transformer, enclosure, grille and beam clamps.

Loudspeaker shall have wide-angle sound distribution with a minimum of 100° dispersion. Paper cone shall be a damped, high-compliance, twin-cone type with smooth extended response over a range of 60-20,000 Hz.

(LBC8T-HK - Loudspeaker shall be rated at 10 watts and have a minimum sensitivity of 95 dB @ 1 watt, 1 meter.)

(LBC8+T-HK - Loudspeaker shall have a 10-ounce magnet, have a minimum sensitivity of 96 dB @ 1 watt, 1 meter and be rated at 15 watts.)

Transformer shall operate on 70.7 or 25-volts with power taps of 5, 2, 1, 0.5 and 0.25 watts. Insertion loss shall not exceed 1.5 dB.

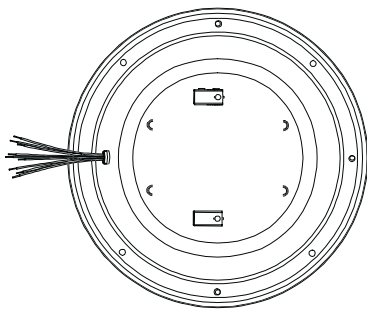
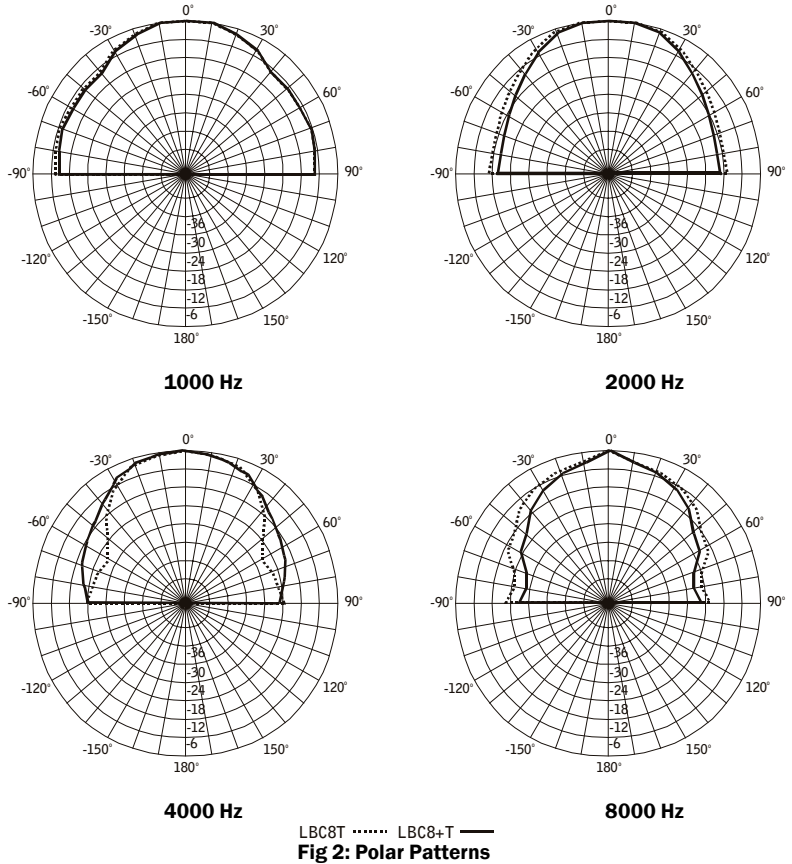
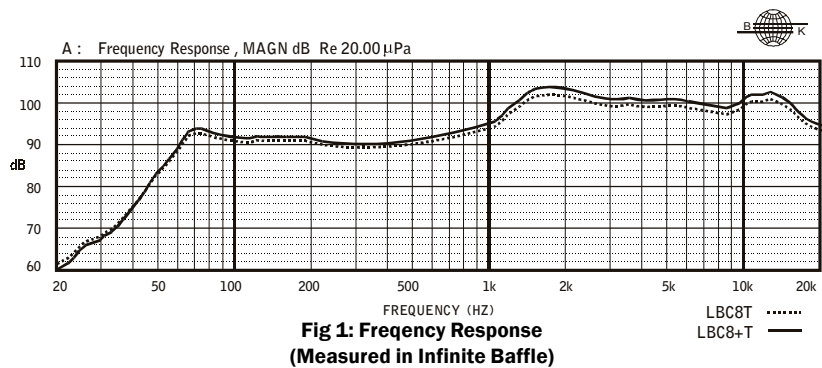


Fig 3: Back View

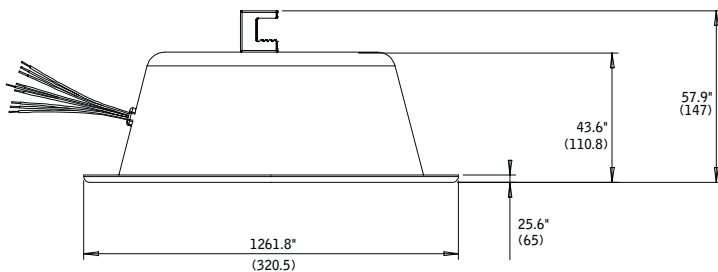


Fig 4: Side View

Watt	25V	70.7V
White	----	0.25
Violet	----	0.5
Blue	----	1
Green	0.25	2
Yellow	0.625	5
Orange	1	----
Red	2	----
Brown	5	----
Black	COMMON	

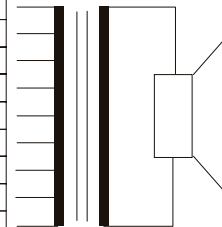


Fig 5: Circuit Diagram

**Penton Audio USA** a subsidiary of Penton Media Technologies

406 Lincoln St., Marlborough, MA 01752



Phone: (888) 883-8383

Fax: (888) 821-2121

Website: www.penton-usa.com

© 2002 Penton Audio USA

Specifications subject to change without notice

SS02-1151