



# LIS82X2-US

## Lay-in Speaker Packages with 8" Cone Speaker



# 1

### ■ FEATURES

- One-piece Assembly Saves Installation Cost
- Grille Matches Ceilings and Fixtures
- Dual 70.7/25-volt Xfrmr for Use in Most Applications

### ■ DESCRIPTION

The Penton Audio LIS Series full-range, lay-in speaker packages are economical one-piece assemblies designed to speed installation in 2 x 2 suspended tile ceilings. Conservatively rated each unit combines a speaker, 70.7/25-volt transformer and enclosure, all attached to grid assembly that also serves as a tile bridge.

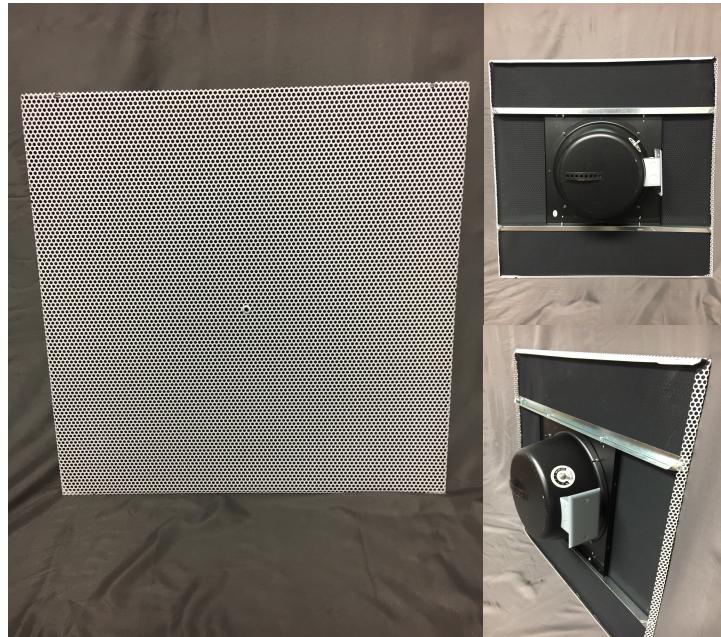
wire terminations are made in an attached electrical box for Plenum compliance. External selector switch for selecting transformer tap values.

LIS8T employs twin-cones and a 5-watt transformer.

### ■ APPLICATION

This family of products is for lightning-fast installation. When mounting in a traditional 2 x 2 or 2 x 4 dropped ceiling.

The LIS Series is ideal for voice transmission, music and signal reproduction. Use these in commercial locations including offices, banks, educational institutions, restaurants, hotel/motels and other industrial/institutional/governmental applications where precise transmission of audio is required.



### ■ SPECIFICATIONS

- **CONE SPEAKER SIZE:**  
8" (203 mm)

- **FREQUENCY RESPONSE (SEE FIG 1)**  
LIS8T: 60-20,000 Hz  $\pm$  6 dB :

- **POWER HANDLING (RAW DRIVER):**  
LIS8T: 10 watts

- **SPL @ 1w 1m:**  
LIS8T: 95 dB

- **DISPERSION @ 2 kHz (6 dB Down):**  
LIS8T: 100°

- **DIRECTIVITY Q FACTOR @ 2 kHz**  
LIS8T: 6.90

- **CONE MATERIAL AND SURROUND:**  
LIS8T: Self-edged Paper

- **TRANSFORMER MAX INSERTION LOSS:**  
LIS8T: 1.5 dB

- **CONE DESIGN:**  
LIS8T: Twin Cone

- **CONNECTION:**  
Via Wire Nuts

- **70.7-VOLT TRANSFORMER TAPS**  
LIS8T: 5, 2, 1, 0.5, 0.25

- **70.7-VOLT TRANSFORMER IMPEDANCE:**  
LIS8T: 1K, 2.5K, 5K, 10K, 20K

- **25-VOLT TRANSFORMER TAPS:**  
LIS8T: 5, 2, 1, 0.625, 0.25

- **25-VOLT TRANSFORMER IMPEDANCE:**  
LIS8T: 125, 312, 625, 1K, 2.5K

- **TRANSFORMER TAP CHANGE:**  
Screwdriver adjustable dial

- **BAFFLE MATERIAL:**  
ABS with Molded-in UV Inhibitor

- **MAGNET WEIGHT:**  
LIS8T: 5.34 oz

- **FINISH**  
Non-reflective White Powder-coated Epoxy Paint

- **APPROVALS:**  
CE

- **DIMENSIONS L-W-D; INCH (MM):**  
23.74" x 23.74 x 4.53  
(603 x 603 x 115)

- **NET WEIGHT LBS (KGS):**  
LIS8T: 8-lbs (3.62)



# LIS82X2-US

## ARCHITECTS' AND ENGINEERS' SPECIFICATIONS:

Unit shall be Penton Audio USA Model(LIS8T) or approved equal. Unit shall be a 1-piece assembly comprised of a damped high-compliance 8" loudspeaker, factory-mounted, 70.7/25-volt transformer, tile bridge, enclosure and 2 x 2 grille.

(LIS8T speaker shall include a 10-watt, twin-cone speaker and trans-former having power taps of 5, 2, 1, 0.5 and 0.25 watts. Output shall be 95 dB @ 1 watt, 1 meter. Fr

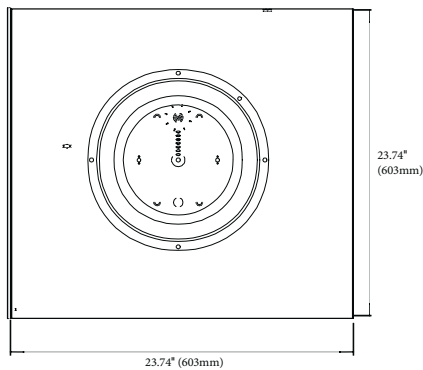


Fig 3: Front View

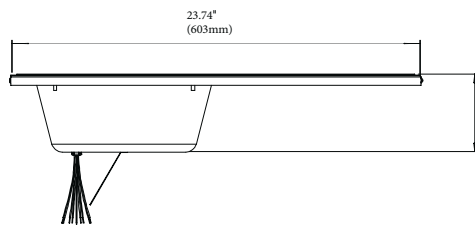


Fig 4: Side View

LIS82x2		
Watt	25V	70.7V
White	-----	0.25
Violet	-----	0.5
Blue	-----	1
Green	0.25	2
Yellow	0.5	5
Orange	1	-----
Red	2	-----
Brown	5	-----

Fig 5: Wattage Taps

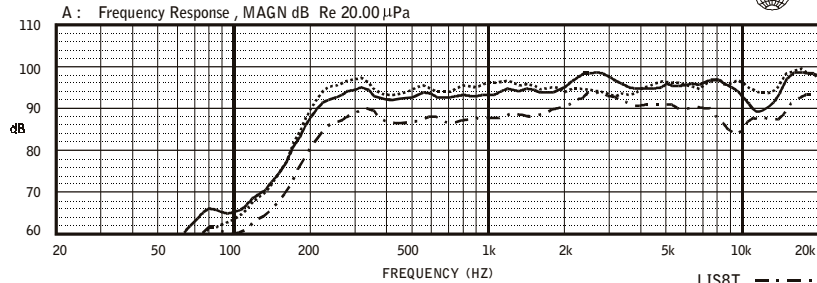


Fig 1: Frequency Responses

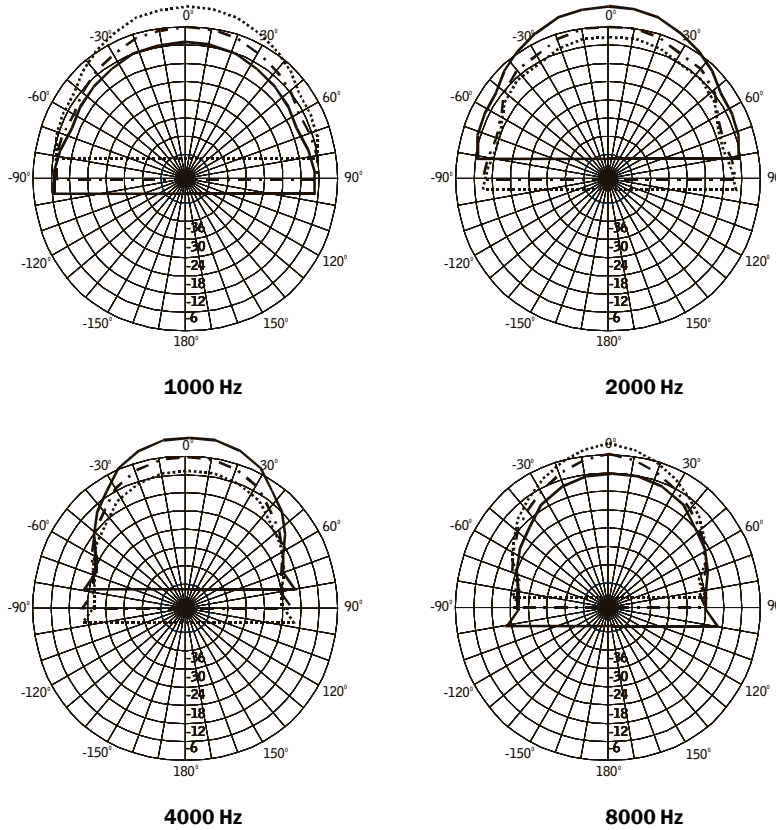


Fig 2: Polar Patterns

**Penton Audio USA** - a subsidiary of Penton Media Technologies

21 Sabin St. , Pawtucket, RI 02860

Phone: (888) 883-8383

Fax: (888) 821-2121

Website: www.penton-usa.com



© 2002 Penton Audio USA

Specifications subject to change without notice

SS02-1161