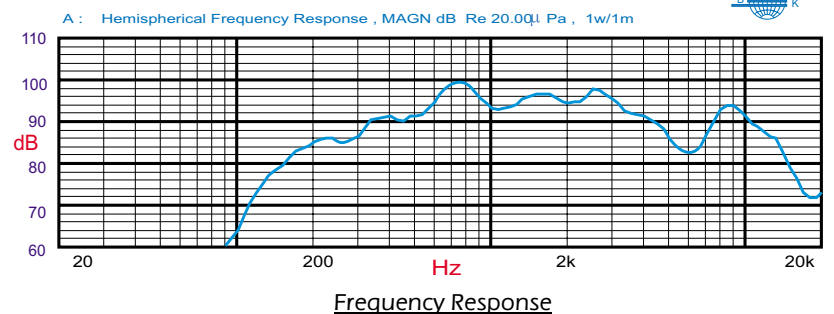
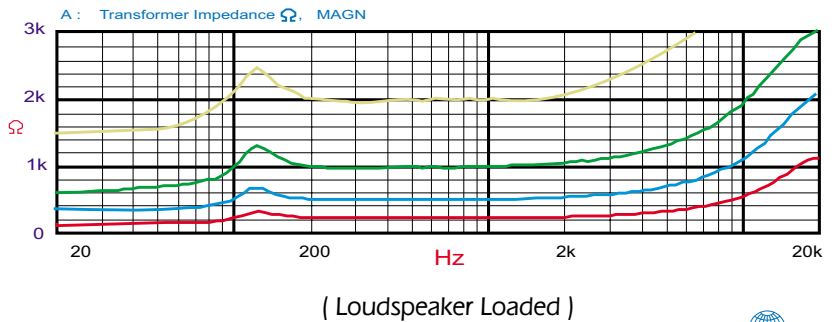
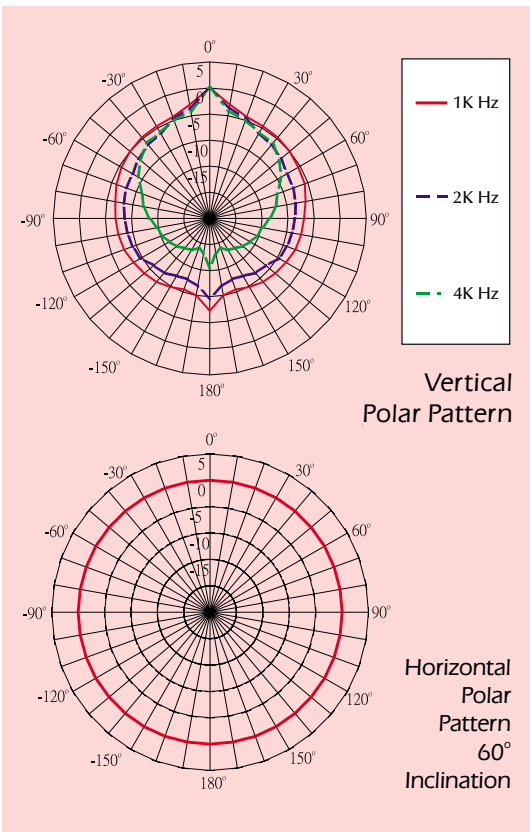
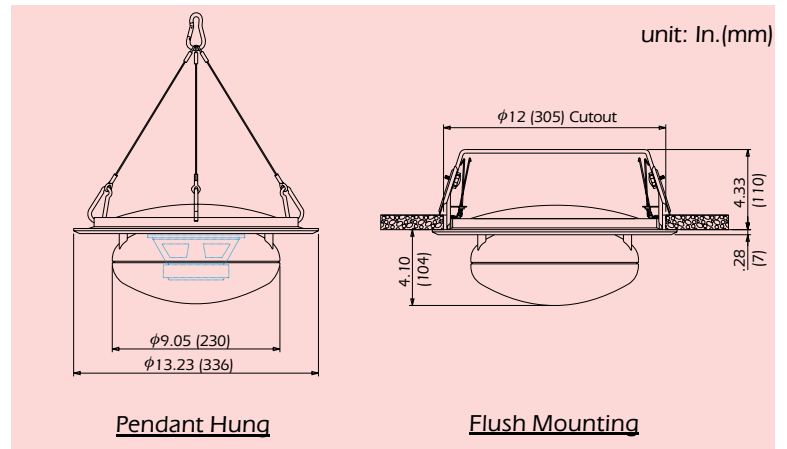
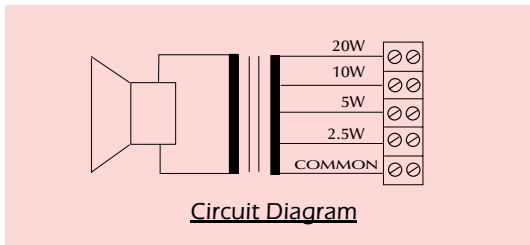


SF 20/T SPHERICAL LOUDSPEAKER, OMNIDIRECTIONAL



Technical Specifications

Power handling, Watts	20
Transformer tappings 70.7V and 100V Versions, Watts	20/ 10/ 5/2.5
70.7V Transformer Impedance, Ohms	250/ 500/ 1k/ 2k
100V Transformer Impedance, Ohms	500/ 1k/ 2k/ 4k
Driver impedance, Ohms	8
Effective frequency range, Hz	110 - 19,000
S.P.L. ,@ 1w, 1m, 1k Hz, dB	92
S.P.L. ,@Full power, 1m, 1k Hz, dB	105
Dispersion at 1,000 Hz, Degrees	140 Vertical, 360 Horizontal
Directivity Q factor, 1k Hz	192
Dimensions front and depth, Inch (mm)	ϕ 13.23 x 4.10 (ϕ 336 x 104)
Net weight, Lbs (Kgs)	4.63 (2.10)
Colour / Finish	White
Material	ABS plastic
Mounting	Flush mounting kit included Pendant hung kit optional on request



Manufacturer reserves the right to alter specifications without notice